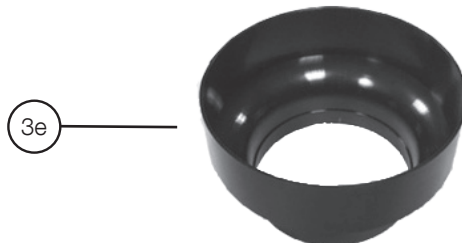
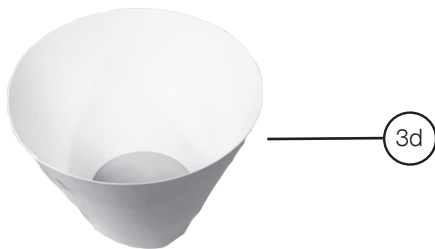
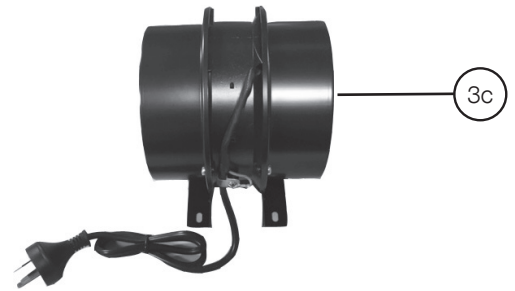
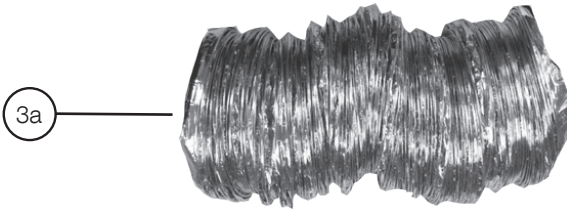
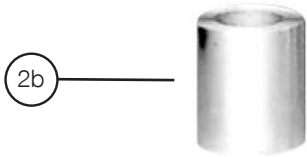
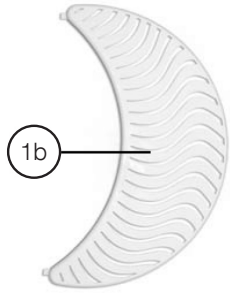
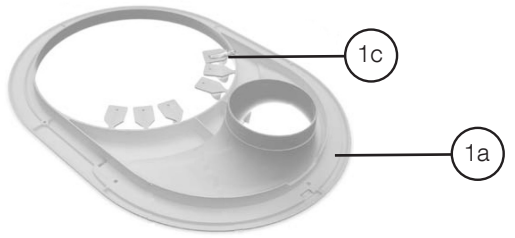


VENTILATION ADD-ON KIT INSTALLATION INSTRUCTIONS



PARTS LIST

	Quantity
1. Ventilation Grille Assembly	(1)
a. Ventilation housing	(1)
b. Ventilation screen	(1)
c. Screw backing tabs	(6)
2. Ventilation Fastener Kit	
a. Drywall (ceiling) screws - #6 x 1 5/8in (40mm)	(6)
b. 2in (50mm) Foil Duct Tape - 6ft (1.8m) long	(2)
c. Vent cap	(1)
3. Ventilation Motor and Vent Cap Assembly	
a. 250mm Ducting	3m
b. Vent cap	(1)
c. Vent motor assembly	(1)
d. 250mm to 150mm reducer	(1)
e. 150mm to 100mm reducer	(1)
f. Fastener kit vent cap	(1)

NOTE: Not all items are shown or are to scale



WARNING



Do not proceed with the installation until you have read the entire instructions, including these warnings.

CAUTION: For general ventilating use only. Do not use in kitchens. Do not use to exhaust hazardous or explosive materials and vapors.

WARNING: To reduce the risk of fire, electrical shock, or injury to persons, observe the following:

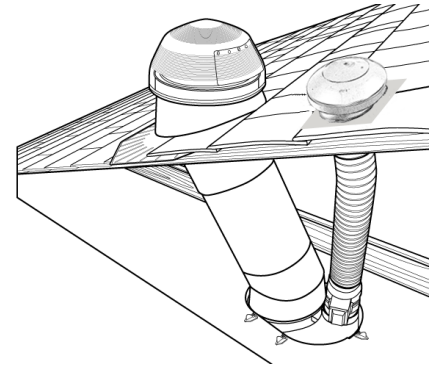
1. Use this unit only in the manner intended by the manufacturer. If you have any questions, contact the manufacturer.
2. Before installing, servicing or cleaning unit, switch power off at service panel and lock service panel to prevent power from being switched on accidentally. When the service disconnecting means cannot be locked, securely fasten a prominent warning device, such as a tag, to the service panel.
3. Installation work and electrical wiring must be done by qualified persons in accordance with all applicable codes and standards including fire-rated construction.
4. When cutting or drilling into a wall or ceiling, do not damage electrical wiring and other hidden utilities.
5. Exhaust fans must always be vented to the outdoors.
6. If this unit is to be installed over a tub or shower, the circuit must be marked as appropriate for the application and be connected to a GFCI (Ground Fault Circuit Interrupter) - Protected Branch Circuit.
7. Never place a switch where it can be reached from a tub or shower.
8. Do not use this fan with any solid-state speed control device.
9. Insulated Air Duct contains fiber glass wool which has been classified as a possible cancer hazard by inhalation. Fiber glass wool may cause temporary irritation to skin and or respiratory tract. Take appropriate precautionary measures when handling.

NOTE: Understand the following before beginning installation:

1. Read and understand both the Solatube® Brighten Up® Series and the Solatube Ventilation Add-On Kit installation instructions.
2. Follow all electrical codes and building code requirements within your jurisdiction.
3. Use appropriate safety glasses, gloves, hard hats, restraints and other equipment to avoid unnecessary accidents.
4. Motor is impedance protected. If motor becomes jammed or if another condition causes overheating, an internal fuse will fail.
5. Use house wiring suitable for 90° C and run it from wall switches to Fan Motor Assembly Junction Box and/or to Light Add-On Kit Junction Box location. Fan Motor Assembly Junction Box to be used only for wiring Solatube Ventilation Add-On Kit or Solatube Light Add-On Kit. Fan Motor Assembly Junction Box not to be used for other fixtures. Fan Motor Assembly suitable for residential and non-rated residential assemblies only. For romex connections use one (1) 14/3, one (1) 12/3 or two (2) 14/3 cables only.
6. Use Ventilation Add-On Kit only as a component of Solatube Daylighting System products, including Light Add-On Kit.
7. Any alteration or misuse of Solatube products will void warranty.

OVERVIEW

These instructions are for installing the Solatube® Ventilation Add-On Kit with the Solatube Brighten Up® Series 160 DS (10 in/250 mm Daylighting System). The Solatube® Light Add-On Kit may also be installed in conjunction with the Ventilation Add-On Kit. Refer to the Solatube Brighten Up® Series and the Solatube® Light Add-On Kit instructions to complete the installation.



MARKING LOCATION

Step 1: Refer to the Solatube Brighten Up® Series instructions, Step 1 and Step 2, to mark ceiling and roof location of the Daylighting System.

Step 2: Place Ventilation Housing Template on ceiling surface and orient one of the locator points with the ceiling hole from Step 1. Drill 1/8 in (3mm) hole through the ceiling at the other locator point and repeat Step 1 to establish clearance (**Diagram A**). Once location has been established, tape template to ceiling. Cut through Template along line and remove ceiling material.

Step 3: Place the small end of the reducer over the neck of the vent cowl and secure with foil tape (**Diagram B**). Then secure the 150mm Flexiduct to the top of the black reducer - using foil tape (**Diagram C**).

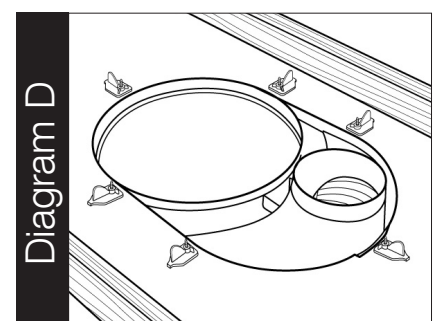
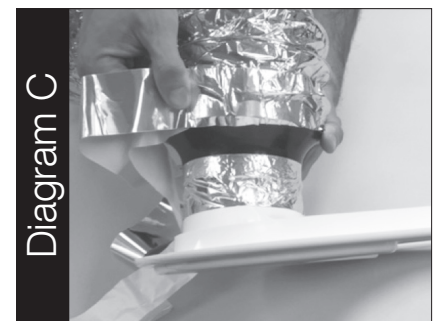
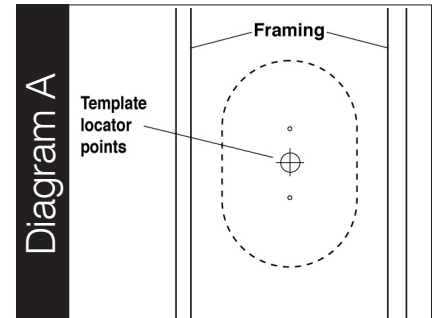
VENTILATION HOUSING

Step 4: Secure Ventilation Housing with six (6) x 1 5/8 in (40mm) plasterboard (ceiling) screws and the six (6) screw backing tabs (**Diagram D**).

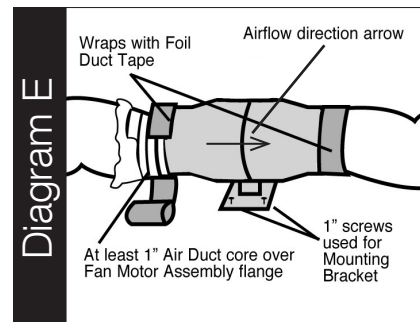
Ventilation Duct/Roof Fan Motor Installation

You need to have the 2nd 250 roof flashing installed (around 90cm plus) from the skylight roof flashing, to allow installation of the vent duct, fan motor and vent cap.

Note: Select flashing as required, not standard with this kit.



Step 5: Select a suitable Fan Motor Assembly location approximately 3 to 4 feet (1 m) from intake hole toward roof or side-wall vent. Fan Motor Assembly can be installed at any angle without affecting performance. The arrow printed on Fan Motor Assembly shows airflow direction. Point the arrow away from ceiling fixture intake and toward the roof or side-wall vent (**Diagram E**). To secure Fan Motor Assembly, screw four (4) 1 in (25 mm) screws through Mounting Brackets on Fan Motor Assembly into building structure.



Step 6: Install 150mm piece of flexi air duct from ventilation housing to inlet of fan motor (**Diagram F**).

Note: For best vent performance, make air duct run as short as possible with minimum bends.



Step 7: Fit the narrow end of the 150mm x 250mm white plastic reducer over end of vent duct running from the fan motor, and secure with foil tape (**Diagram G**).



Step 8: Then place 150mm x 250mm reducer at the top of turret opening in roof flashing, and secure with foil tape (**Diagram H**).



IMPORTANT NOTICE

250 Terracotta Flashing/Vented

Fit and secure the extension turret ring to the turret of the flashing before proceeding with Step 8 - above

Vent Vap Installation

Step 9: Drill a 5mm diameter hole in each of the 3 legs, 10mm up from the end of leg. Place vent cap over top of the flashing/fan unit with one leg centred front face of the flashing turret.

It may be necessary to cut out a small section on the side of vent cap - opposite adjacent the two back legs, to make it easier when fixing screws. Using the three pre-drilled holes as a guide, drill a 3mm pilot hole into turret of the flashing – then secure vent cap with stainless dome screws (**Diagram I**).

